

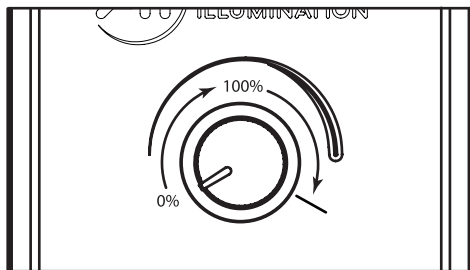
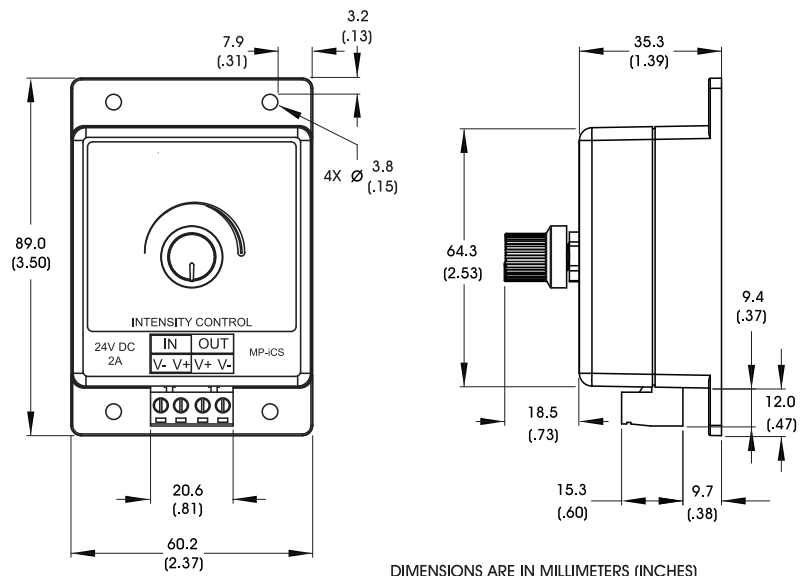
### Product Highlights

- 0 - 100% intensity control
- For use with lights built with an ICS 2 after 3/1/2012
- NOT COMPATIBLE with LL137, BL138, LL167, and BL168 "IC" Lights



### Mechanical Specifications

|                 |             |
|-----------------|-------------|
| Length mm (in)  | 89.0 (3.50) |
| Width mm (in)   | 60.2 (2.37) |
| Height mm (in)  | 53.8 (2.12) |
| Weight          | 59.5g       |
| Operating Temp. | -25 to 57°C |
| Compliance      | CE, RoHS    |



Intensity Control Range

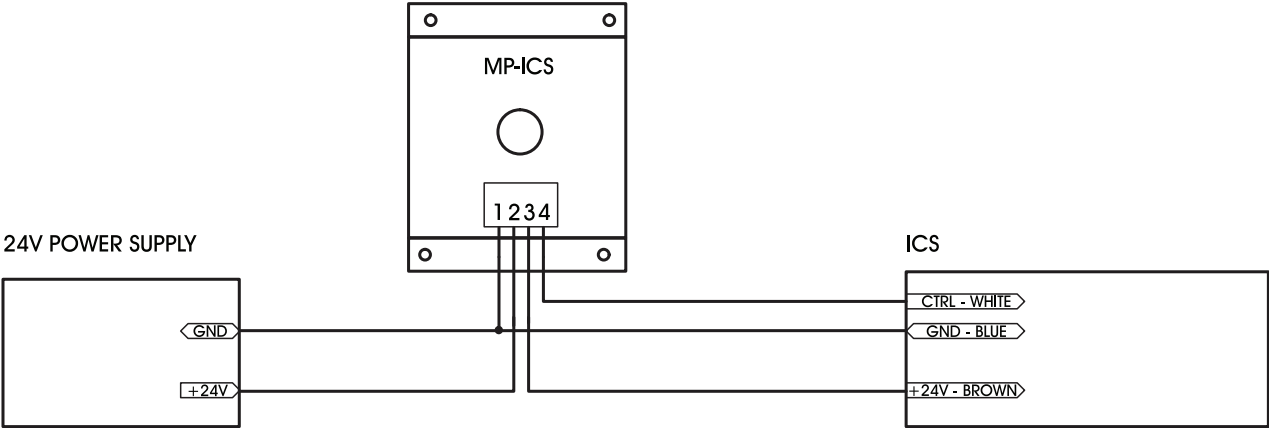
Note: The MP-ICS will not work with a light ordered with the 24v configuration.

Lights must be ordered with the ICS 2 power option.

## Wiring Information

### MP-ICS Manual Dimming Control Wiring Diagram for ICS 2

All connections are made at the input



## Part Number Key

| Model | — | Controller |
|-------|---|------------|
| MP    | — | XXX        |
| MP    | — | ICS        |



**Stock Product:** *shipped next day*  
MP-ICS

## Warranty Information

Every Advanced illumination, Inc. (Ai) product is thoroughly inspected and tested before leaving the factory. Products are warranted to be free of defects in workmanship and materials for a period of two years from the original date of purchase. Should a defect develop during this period, please contact Ai Customer Service or your Ai distributor for a Return Merchandise Authorization (RMA), and return the complete product, freight prepaid, to Ai. If a defect is found, Ai will - at our discretion - repair or replace the product without charge. Ai claims no liability for any implied warranties, including "merchantability" and "fitness for a specific purpose."

## Electromagnetic Compatibility

This product was tested and complies with the regulatory requirements and limits for electromagnetic compatibility (EMC) as stated in the product specifications. These requirements and limits are designed to provide reasonable protection against harmful interference only when the product is operated in its intended industrial electromagnetic environment. To minimize the potential for electromagnetic interference or unacceptable performance degradation, install and use this product in strict accordance with the instructions in the product documentation.

## Customer Service

For information on existing orders, or to make an order adjustment, contact us Monday through Friday 8:00 am to 5:00 pm ET or send an email to [orders@advill.com](mailto:orders@advill.com).

## Company Information

### **Advanced Illumination**

440 State Garage Road, Rochester VT. 05767

Phone: 802.767.3830

Fax: 802.767.3831

Email: [info@advancedillumination.com](mailto:info@advancedillumination.com)

Web: [advancedillumination.com](http://advancedillumination.com)

© 2015 Advanced Illumination Inc. All rights reserved